

HF2000 SERIES

Gas and Air Filters

Gas and air filters protect downstream controls (regulators, automatic shut-off valves) from particulate contamination. Recommended for use upstream of fittings, regulators, and controls. Applications for the residential, commercial cooking, process heating, and industrial burner industries. The unique filter mat material will not allow particle infiltration over 0.05mm (50 microns).



GF60

Specifications

- Pipe Sizes** 1/2" to 2" threaded connections with NPT or ISO7-1 threads.
- Housing Material** GF40, GF60, GF80: aluminum.
- Filter Mat Material** Polypropylene fleece
- Mounting Position** Suitable for multi-positional mounting, preferably with lid facing down or to the side to facilitate removal of debris during maintenance.

NOTE: All Maxitrol gas filters should be installed and operated in accordance with Maxitrol Safety Warning Instructions (see GF_IO_EN_HF2000).
- Approvals**..... CE
- Construction and Design** Function according to DIN 3386, Gas Appliances Regulation 2016/426/EU and Pressure Equipment Directive 97/23/EEC.
- Gas Types** Suitable for natural, manufactured, mixed gases, liquefied petroleum gases, LP gas-air mixtures, sewer gas, and air.
- Pressure Tap Connector**..... Optional: Pressure tap (PF10) connections inlet and/or outlet side.
- Maximum Inlet Pressure** 60 psi (400 kPa)
- Maximum Pressure Drop** 1 kPa (10 mbar) (from this value, the filter mat must be changed). For more information see pressure drop chart, page 68.
- Ambient Temperature Ranges**..... -4 to 175°F (-20 to 80°C)
- Storage and Transport Temp** -58 to 175°F (-50 to 80°C)
- Filter Replacement** GF40 Models: KIT-GF40
GF60 Models: KIT-GF60
GF80 Models: KIT-GF80

Gas Filter Service Kit

(Incl. Insert, Gasket, and Screws)

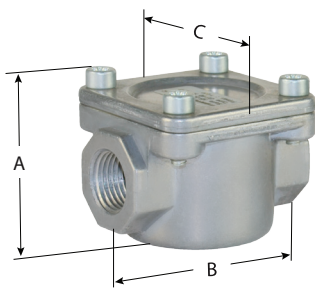
Model	Service Kit Number	Min. Order Quantity
GF40M-44...	KIT-GF40M	10
GF60M-66...	KIT-GF60M	
GF60M-88...		
GF80M-1010...	KIT-GF80M	
GF80M-1212...		
GF80M-1616...		



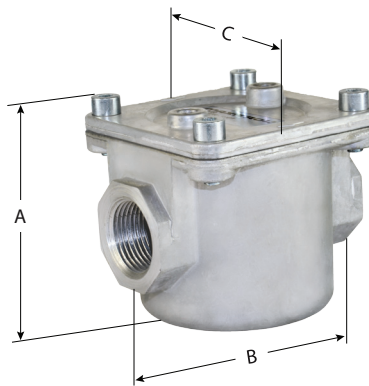
Dimensions

NPT Model	ISO 7-1 Model	Pipe Size	Pressure
GF40-44	GF40M-44	1/2"	100 kPa, 400 kPa
GF60-66	GF60M-66	3/4"	100 kPa, 400 kPa
GF60-88	GF60M-88	1"	100 kPa, 400 kPa
GF80-1010	GF80M-1010	1 1/4"	100 kPa, 400 kPa
GF80-1212	GF80M-1212	1 1/2"	100 kPa, 400 kPa
GF80-1616	GF80M-1616	2"	100 kPa, 400 kPa

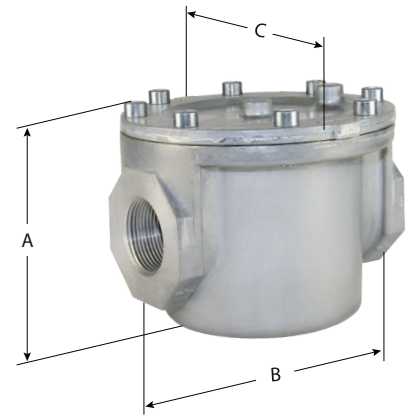
Outer Dimensions				
Model	Swing Radius	A	B	C
GF40	1.6" (41 mm)	2.1" (53 mm)	2.7" (69 mm)	2.3" (58 mm)
GF60	2.6" (66 mm)	3.7" (94 mm)	4.3" (109 mm)	3.7" (94 mm)
GF80	4" (102 mm)	6.2" (158 mm)	6.2" (163 mm)	6.4" (163 mm)



GF40



GF60

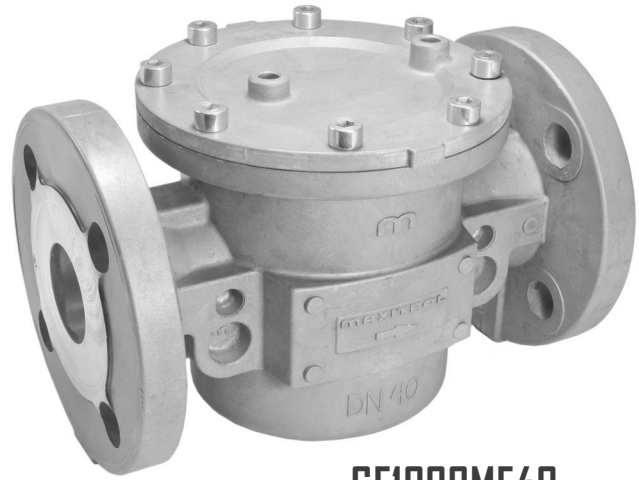


GF80

GF1000 SERIES

Gas and Air Filters

Gas and air filters protect downstream controls (regulators, automatic shut-off valves) from particulate contamination. Recommended for use upstream of fittings, regulators, and controls. Applications for the residential, commercial cooking, process heating, and industrial burner industries. The unique filter mat material will not allow particle infiltration over 0.05mm (50 microns).



GF1000MF40

Specifications

Pipe Sizes DN40, DN50, DN65.
(ASME/ANSI Class 125, 1 1/2" to 2 1/2" flanged. Contact Maxitrol Company for availability.)

Housing Material Aluminum.

Filter Mat Material Polypropylene fleece

Mounting Position Suitable for multi-positional mounting, preferably with lid facing down or to the side to facilitate removal of debris during maintenance.

NOTE: All Maxitrol gas filters should be installed and operated in accordance with Maxitrol Safety Warning Instructions (see GF_IO_EN_GF1000).

Approvals..... CE

Construction and Design Function according to DIN 3386, Gas Appliances Regulation 2016/426/EU and Pressure Equipment Directive 97/23/EEC.

Gas Types Suitable for natural, manufactured, mixed gases, liquefied petroleum gases, LP gas-air mixtures, sewer gas, and air.

Pressure Tap Connector..... Optional: Pressure tap (PF10) connections inlet and/or outlet side.

Maximum Inlet Pressure 87 psi (600 kPa)

Maximum Pressure Drop 1 kPa (10 mbar) (from this value, the filter mat must be changed). For more information see pressure drop chart, page 69.

Ambient Temperature Ranges..... -4 to 175°F (-20 to 80°C)

Storage and Transport Temp -58 to 175°F (-50 to 80°C)

Filter Replacement Kit..... KT-GF1000MF

Gas Filter Service Kit

(Incl. Insert, Gasket, and Screws)

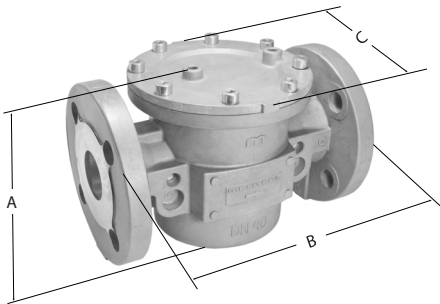
Model	Service Kit Number	Min. Order Quantity
GF1000MF40...	KIT-GF1000MF	Upon request
GF1000MF50...		
GF1000MF65...		



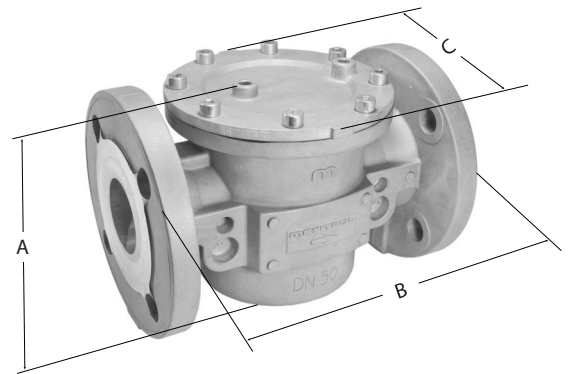
Dimensions

Model	Pipe Size	Pressure
GF1000MF40	DN40	100 kPa, 400 kPa, 600 kPa
GF1000MF50	DN50	100 kPa, 400 kPa, 600 kPa
GF1000MF65	DN65	100 kPa, 400 kPa, 600 kPa
GF1000F40	1 1/2"	100 kPa, 400 kPa, 600 kPa
GF1000F50	2"	100 kPa, 400 kPa, 600 kPa
GF1000F65	2 1/2"	100 kPa, 400 kPa, 600 kPa

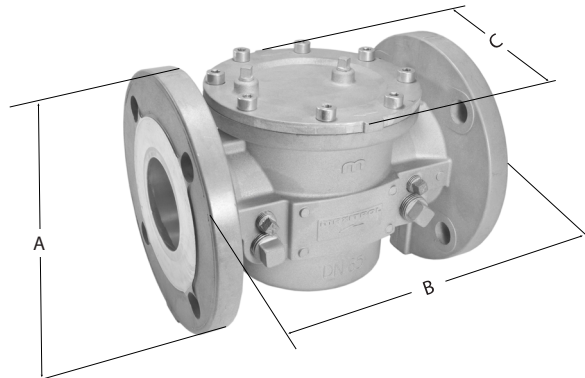
Outer Dimensions			
Model	A	B	C
GF1000MF40, GF1000F40	6.2" (157 mm)	9.2" (234 mm)	6.1" (155 mm)
GF1000MF50, GF1000F50	6.6" (168 mm)	9.2" (234 mm)	6.1" (155 mm)
GF1000MF65, GF1000F65	7.4" (188 mm)	9.2" (234 mm)	6.1" (155 mm)



GF1000MF40



GF1000MF50



GF1000MF65